



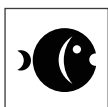
### Product categories



Meat



Chicken



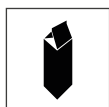
Fish



Delicatessen



Cheese



Dairy products



Pre-packed  
fruit&veg



Sandwiches

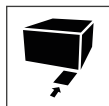


Frozen Food  
and Ice cream

### Technical features



Ventilated



Incorporated  
condensing unit



LED lighting



Electric defrost

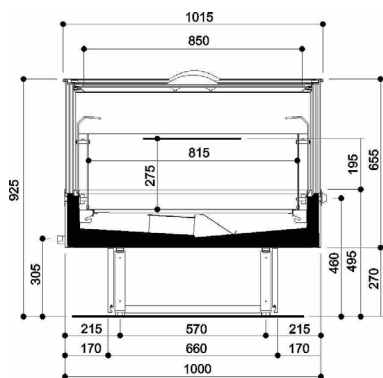


R290  
Propane  
refrigerant gas  
(R290)

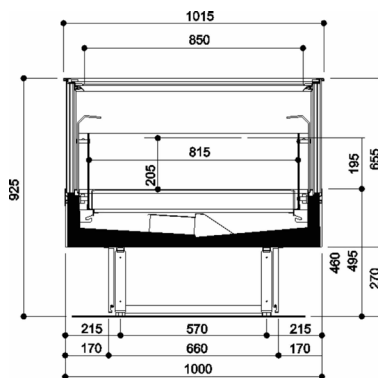
### Product range

CHORUS					
CHORUS	CLOSED			OPEN	
	LT/MT			MT	
	100	1500	2000	1500	2000
	•	•	•	•	•
<b>Display area</b> Superficie di esposizione Warenpräsentationsfläche Surface d'exposition Superficie expositiva m2	1.36	1.96	2.56	1.96	2.56
<b>Loading area</b> Superficie di appoggio Nutzfläche Surface de chargement Superficie de apoyo m2	1.00	1.50	2.00	1.50	2.00
<b>Net storage capacity</b> Capacità netta Nutzinhalt volume utile Capacitat neta dm3	199.00	311.00	423.00	311.00	423.00
<b>Dimensions</b> Dimensioni Größe Dimensions Dimensiones LxAxP mm	1000x925x1000	1500x925x1000	2000x925x1000	1500x925x1000	2000x925x1000

### Cross sections



CLOSED - LT/MT



OPEN - MT